

WEMCO PUMP

Food Transfer Pumps

Excellent
Power & Industrial
Solutions



WFT8A Food Transfer Pump

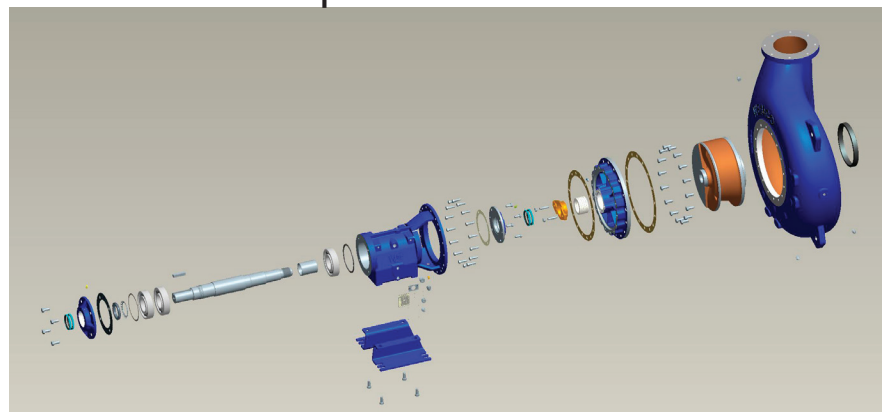
WFT8A Food Transfer Pump

Pump Size ANSI/DIN	8"x8" 200 mm x 200 mm
Pump Casing	Cast Iron
Operating Pressure	Maximum 60 psi (413 kPa)
Impeller	16 3/8 " (421 mm) cast iron single port enclosed type
Solids Diameter	5" diameter by 9" length solid food handling
Impeller Shaft	4140 steel
Wear Plate, Replaceable	Cast Iron
Bearing Housing	Cast iron
Seal Plate	Cast iron
Shaft Sleeve	Stainless steel
Radial Bearing	Single Row Deep Groove Radial Ball Bearing
Thrust Bearing	Single Row Angular Contact Bearing
Bearing/Seal Cavity Lubrication	SAE No. 30 oil
Sealing Methods	Food grade packing or mechanical seal
O-Rings	Buna-N
Hardware	Steel
Oil Level Sight Gauges	Bearing Cavity
Net Weight	1386 lbs / 630 KG
Shipping Weight	1600 lbs / 725 KG
Export Crate	65 Ft ³ / 1.8 M ³

WFT



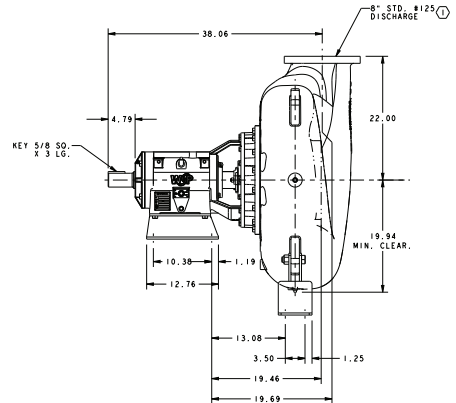
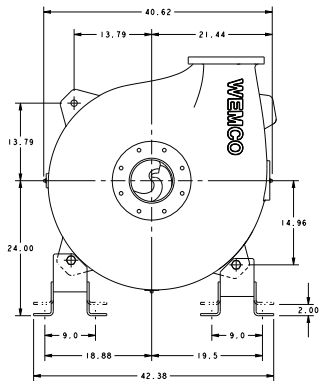
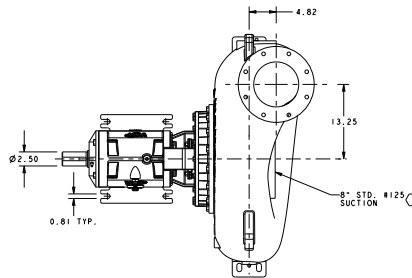
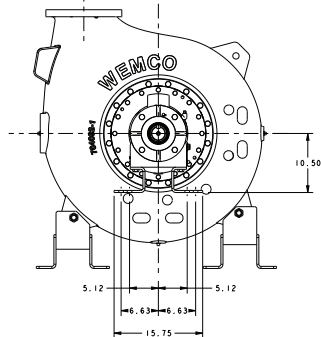
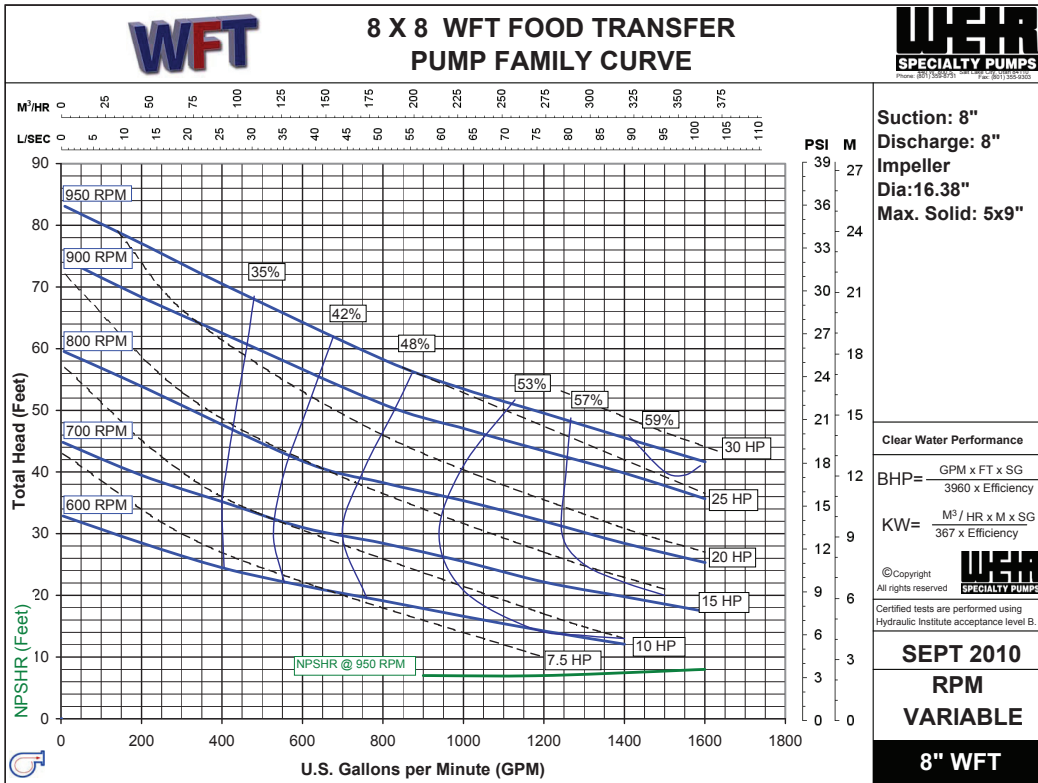
Exploded Detail View



Applications:

- Potatoes
- Cranberries
- Carrots
- Apples
- Peas
- Cherries
- Live Fish
- Lettuce
- Broccoli
- Shrimp
- Crayfish
- Nuts
- Olives
- Cucumbers
- Raisins
- Corn
- Oranges
- Potato Chips
- French Fries
- Other whole and cut foods

WFT8A • Size: 8" x 8" 200 mm x 200 mm



Weir Specialty Pumps

440 West 800 South
P.O. Box 209 (84110-0209)
Salt Lake City, UT 84101
USA

Tel: 1 801 359 8731
Fax: 1 801 530 7828
email: info@weirsp.com
www.weirsp.com

© 2010 Weir Specialty Pumps. All Rights reserved. Cut-Sheet: WFT8A

Excellent
Power & Industrial
Solutions

