

## WNC12A Non-Clog Pump

### WNC12A Non-Clog Pump

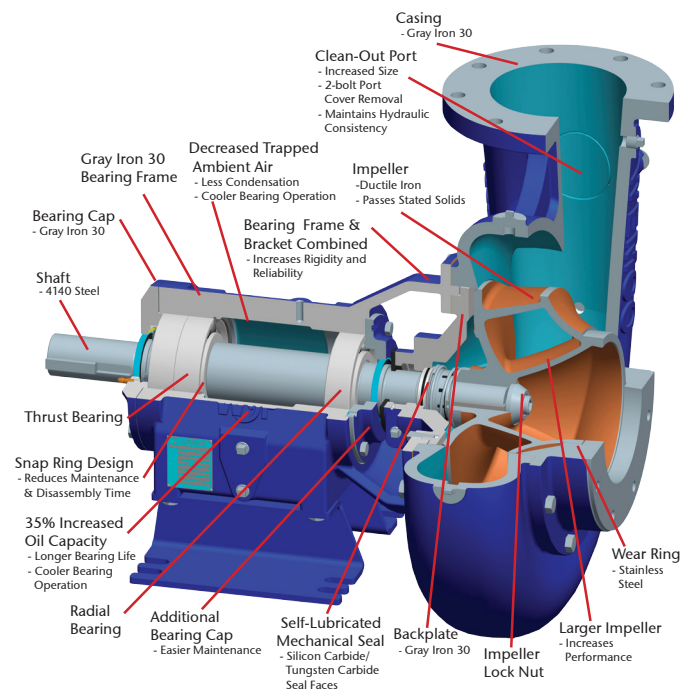
<b>Pump Size</b> ANSI/DIN	<b>12"x12"</b> 305 mm x 305 mm
<b>Pump Casing</b>	Gray Iron 30
<b>Operating Pressure</b>	Maximum 150 psi (995 kPa)
<b>Impeller</b>	14" (355 mm) cast iron 2 vane enclosed non-clog
<b>Impeller Shaft</b>	4140 steel
<b>Wear Ring</b>	Stainless Steel
<b>Bearing Housing</b>	Gray Iron 30
<b>Backplate</b>	Gray Iron 30
<b>Shaft Sleeve</b>	Stainless steel
<b>Radial Bearing</b>	Single Row Deep Groove Ball Bearing
<b>Thrust Bearing</b>	Single Row Deep Groove Ball Bearing
<b>Bearing Cavity Lubrication</b>	Oil - SAE 10W Grease - NLGI #2
<b>Sealing Methods</b>	Type 2 single self-lubricated mechanical seal - Silicon Carbide / Tungsten Carbide seal faces
<b>O-Rings</b>	Viton
<b>Hardware</b>	Steel
<b>Oil Level Sight Gauges</b>	Bearing Cavity
<b>Net Weight</b>	1270 lbs / 576 KG
<b>Shipping Weight</b>	1400 lbs / 635 KG
<b>Export Crate</b>	55 Ft <sup>3</sup> / 1.5 M <sup>3</sup>

**WNC**

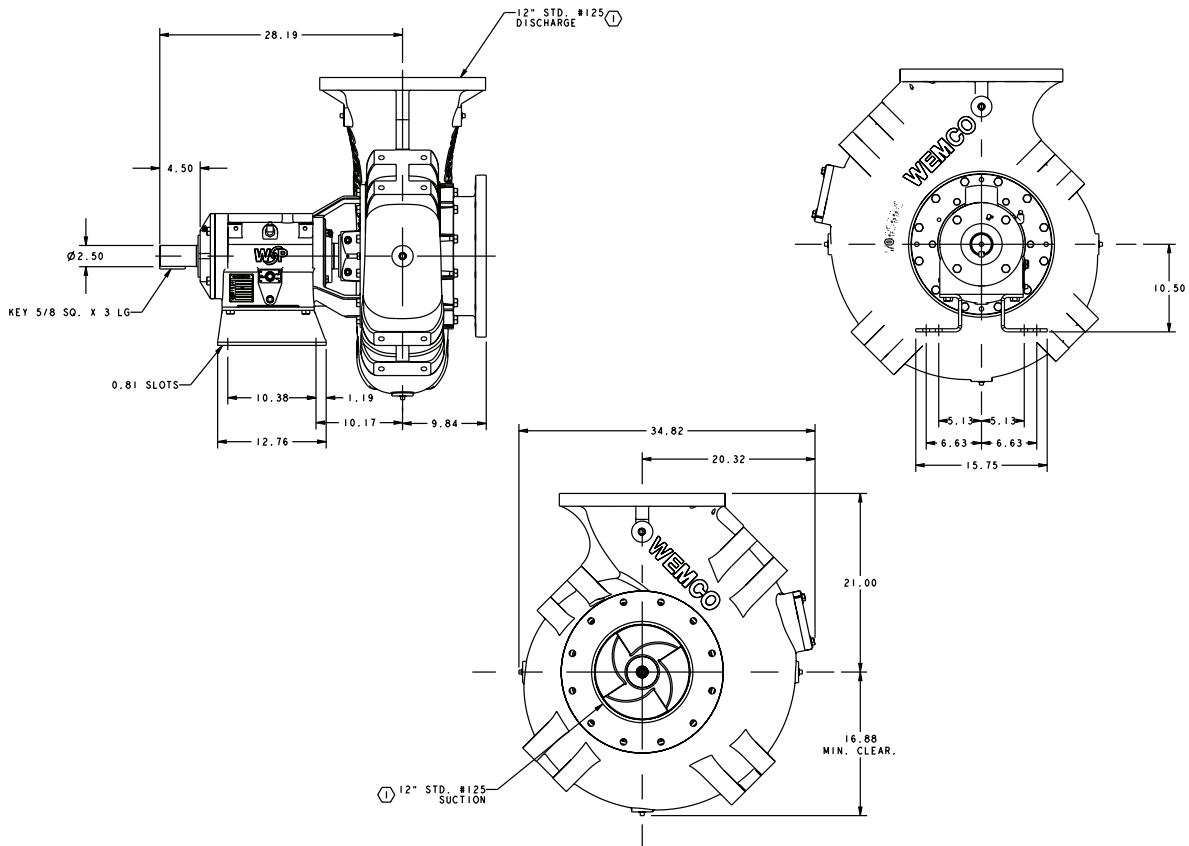
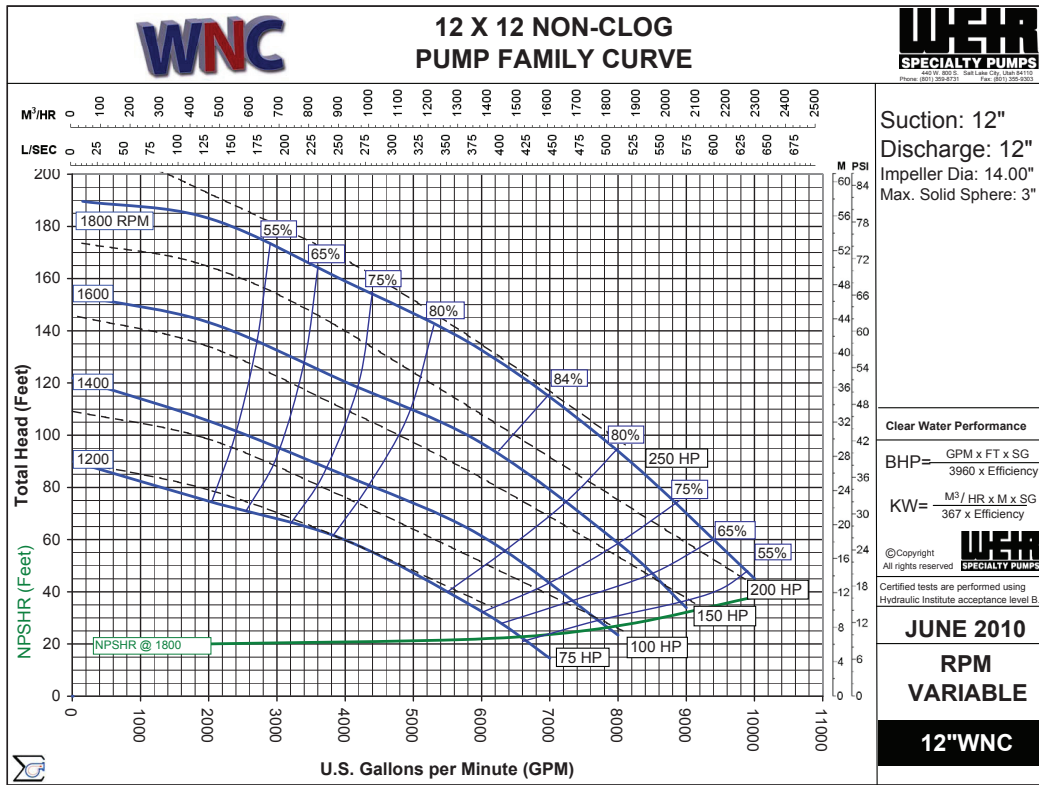


### Applications:

- Sewage Lift Stations
- Return Activated Sludge
- Waste Activated Sludge
- Sewage Bypass
- Dewatering
- Digesters
- Water Booster
- Manure
- Industrial Waste
- Light Abrasives
- Agricultural Waste
- Mining
- Trailer/skid mounted with Weir Prime Assist



# WNC12A • Size: 12"x 12" 305 mm x 305 mm



### Weir Specialty Pumps

440 West 800 South  
P.O. Box 209 (84110-0209)  
Salt Lake City, UT 84101  
USA

Tel: 1 801 359 8731  
Fax: 1 801 530 7828  
email: [info@weirsp.com](mailto:info@weirsp.com)  
www.[weirsp.com](http://weirsp.com)

© 2010 Weir Specialty Pumps. All Rights reserved. Cut-Sheet: WNC12A

Excellent  
Power & Industrial  
Solutions

