

## WNC8A Non-Clog Pump

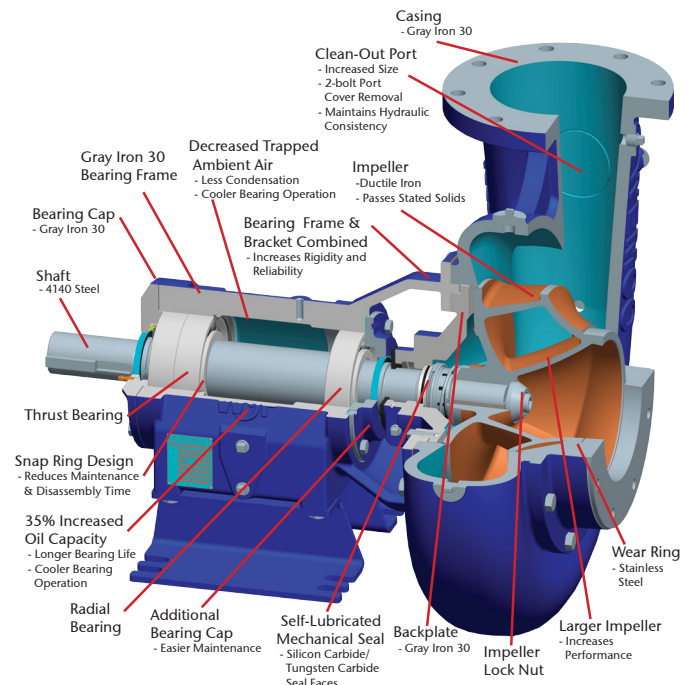
### WNC8A Non-Clog Pump

<b>Pump Size</b> ANSI/DIN	<b>8" x 8"</b> 200 mm x 200 mm
<b>Pump Casing</b>	Gray Iron 30
<b>Operating Pressure</b>	Maximum 120 psi (995 kP)
<b>Impeller</b>	14" (355 mm) cast iron 2 vane enclosed non-clog
<b>Impeller Shaft</b>	4140 steel
<b>Wear Ring</b>	Stainless Steel
<b>Bearing Housing</b>	Gray Iron 30
<b>Backplate</b>	Gray Iron 30
<b>Shaft Sleeve</b>	Stainless steel
<b>Radial Bearing</b>	Single Row Deep Groove Ball Bearing
<b>Thrust Bearing</b>	Single Row Deep Groove Ball Bearing
<b>Bearing Cavity Lubrication</b>	Oil - SAE 10W Grease - NLGI #2
<b>Sealing Methods</b>	Type 2 single self-lubricated mechanical seal - Silicon Carbide / Tungsten Carbide seal faces
<b>O-Rings</b>	Viton
<b>Hardware</b>	Steel
<b>Oil Level Sight Gauges</b>	Bearing Cavity
<b>Net Weight</b>	802 lbs / 364 KG
<b>Shipping Weight</b>	925 lbs / 420 KG
<b>Export Crate</b>	48 Ft <sup>3</sup> / 1.4 M <sup>3</sup>

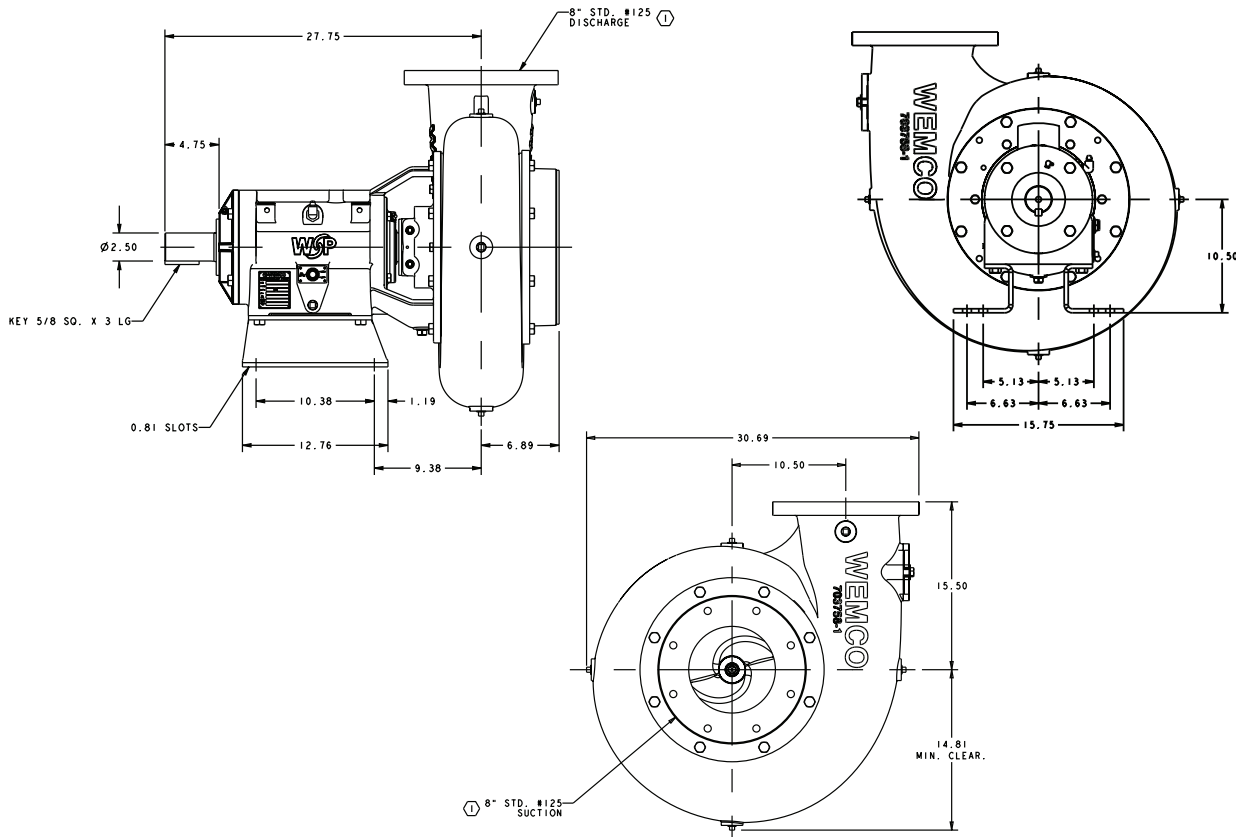
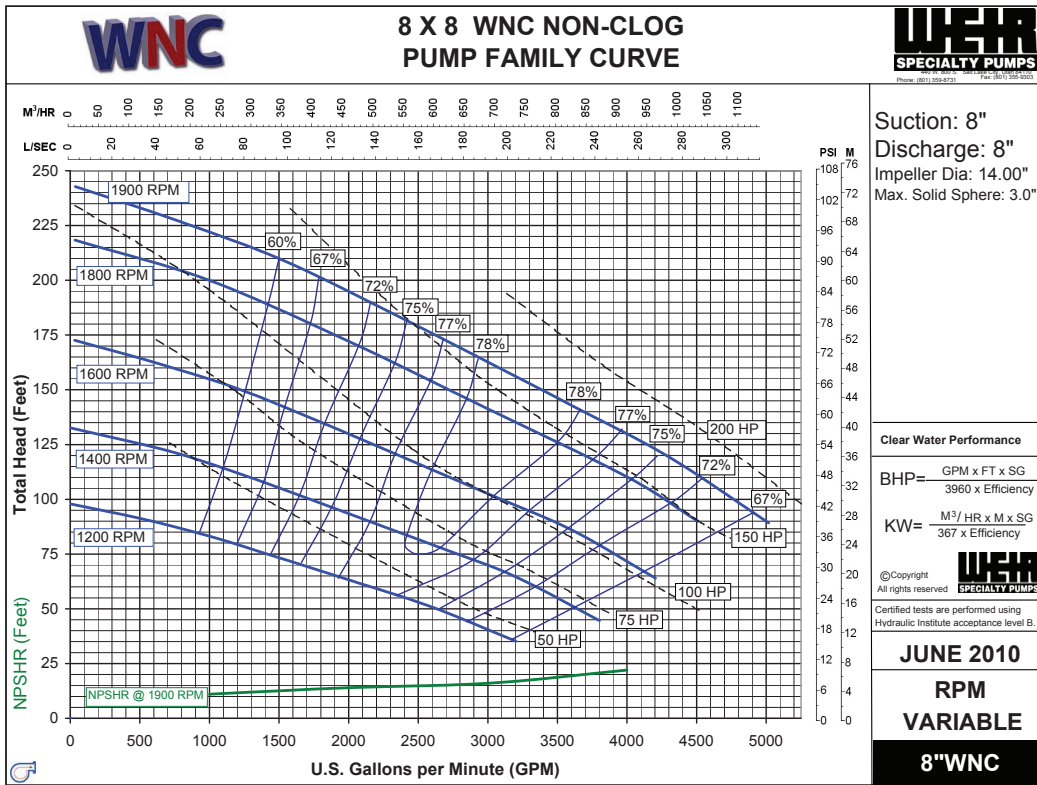


### Applications:

- Sewage Lift Stations
- Return Activated Sludge
- Waste Activated Sludge
- Sewage Bypass
- Dewatering
- Digesters
- Water Booster
- Manure
- Industrial Waste
- Light Abrasives
- Agricultural Waste
- Mining
- Trailer/skid mounted with Weir Prime Assist



# WNC8A • Size: 8" x 8" 200 mm x 200 mm



## Weir Specialty Pumps

440 West 800 South  
P.O. Box 209 (84110-0209)  
Salt Lake City, UT 84101  
USA

Tel: 1 801 359 8731  
Fax: 1 801 530 7828  
email: info@weirsp.com  
www.weirsp.com

© 2010 Weir Specialty Pumps. All Rights reserved. Cut-Sheet: WNC8A

Excellent  
Power & Industrial  
Solutions

