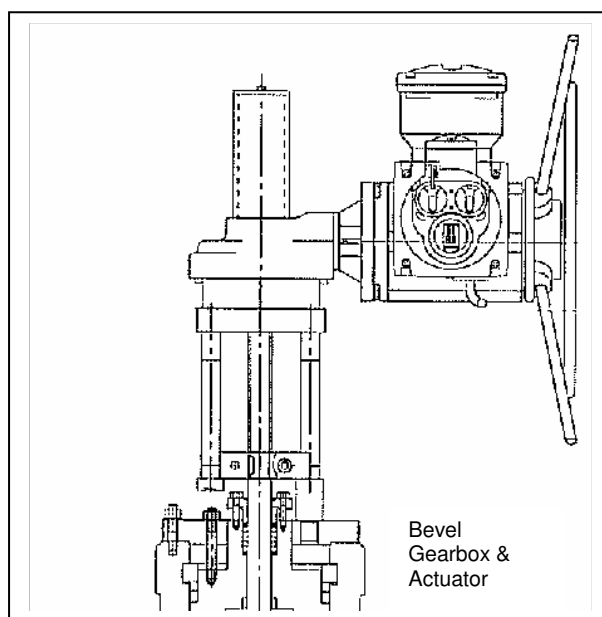
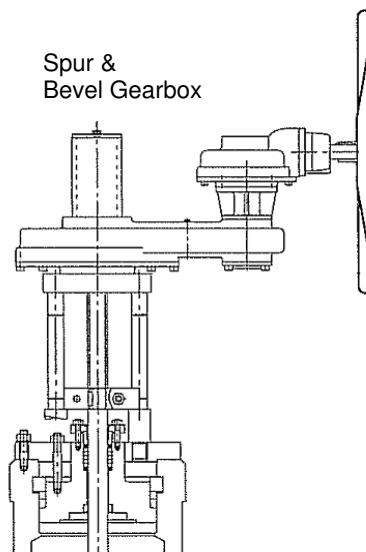


Gearboxes Fitted to Weir Valves & Controls UK Ltd Products.

The gearing and spindle are totally enclosed within the gearbox which is of weatherproof construction and eliminates dangers to personnel and the usual troubles encountered from environmental conditions with open construction type gearing.

Gearboxes are supplied grease lubricated for life with Century Oils Ltd 'Lacerta' suitable for an

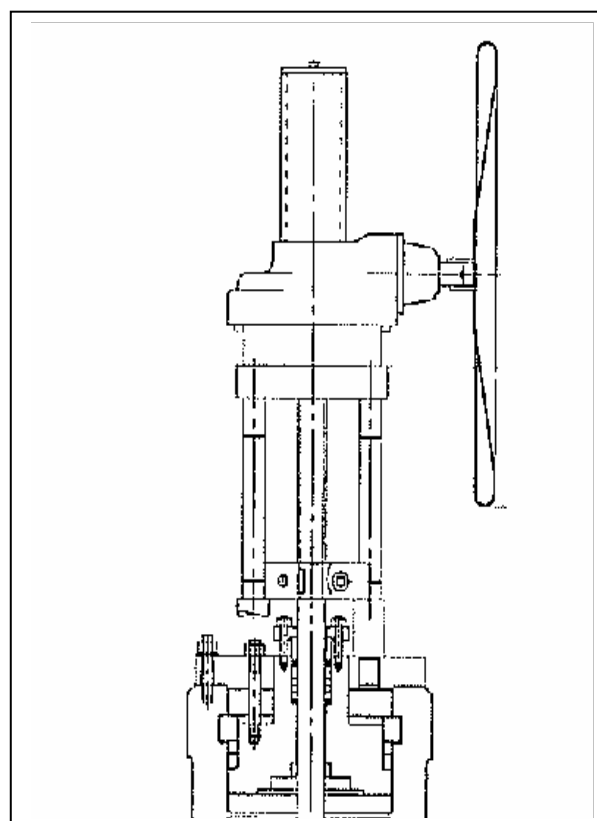


operating temperature range of -54°C to $+95^{\circ}\text{C}$. Should the gearbox be dismantled and this grease not available then an 'EP'grease such as 'Shell Alvania EP1' or 'Esso Beacon EP2' will be satisfactory.

It should be noted that when dismantling or assembling a valve fitted with a gearbox the gearbox should be removed or refitted as one single unit and the dismantling only occur when the gearbox is in need of repair.

Although gearboxes may be lubricated for life, valve spindles etc, require lubricating as necessary.

Also remotely mounted valves operated by extension spindles must have their universal joints etc, suitably lubricated.



Bevel Gearbox