

## Sales Bulletin



Weir Valves & Controls USA is pleased to introduce our **Rapid Response Program** to supply original equipment replacement parts at accelerated lead times. We understand your needs in keeping critical plants operating and your concerns when a failure occurs or a plant/system turnaround is scheduled. For this reason, parts can be delivered as quickly as 24 hours from inquiry! Rapid Response is available for most ATWOOD & MORRILL<sup>®</sup>, TRICENTRIC<sup>®</sup> and Hopkinsons products.

- Turnaround within **24 to 48 hours on most replacement parts** for:
  - Compressor Discharge Check Valves
  - Free Flow Reverse Current Check Valves (FFRCV)
  - Parallel Slide Gate Valves (PSGV)
  - Spring Relief Valves
  - Three Way Valves
  - TRICENTRIC<sup>®</sup> Triple Offset Butterfly Valves
  - Wye Globe Valves
- Large stock of standard cast components. Quick turnaround on all non-standard castings.
- Genuine fully Warranted OEM parts.
- Dedicated customer focused aftermarket organization.
- No compromise on OEM quality.
- OEM Authorized service crews available for on-site installation help.



**24/7 Rapid Response**



**1-978-744-5690**

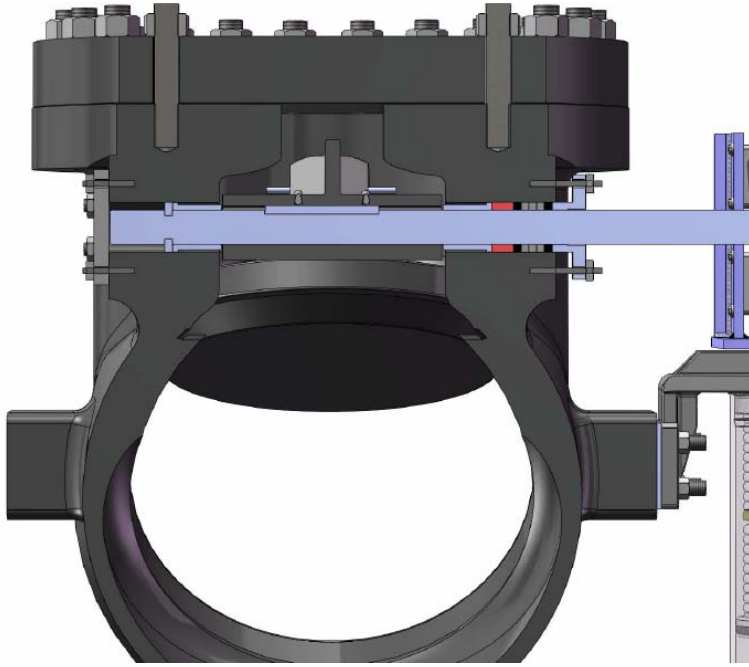
*(8 am to 4:30 pm EST)*



**1-877-411-WEIR**

*(after hours & weekends)*

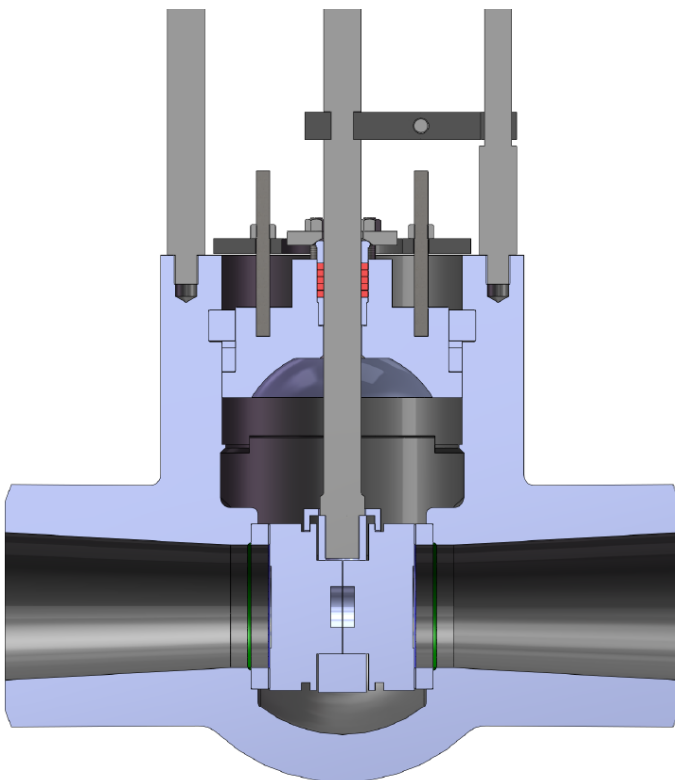
Our mission is to provide world-class quality valve products and services to the global power, nuclear, industrial, oil and gas industries by exceeding the expectations and requirements of our customers. We are committed to a continuous quality improvement philosophy in all facets of our business and we strive to achieve total customer satisfaction. Our Rapid Response capability was developed to provide our quality OEM parts and service at an industry leading accelerated lead-time...24-48 hours in most cases.



#### Recommended Spares:

##### **FFRCV**

- All Soft Goods
- Bushings
- Split Ring
- Shaft
- Keys
- Insulating Spacer
- Air Cylinder Can
- Air Cylinder Repair Kit
- Piston Rod
- Disc Nut Pin



#### Recommended Spares:

##### **PSGV**

- All Soft Goods
- Bushing
- Locking Tab
- Stem & Carrier Ring
- Spring
- Shoulder Screws